

DEUTZ 167-235 kVA Technical Specifications



ENGINE

- DEUTZ WP series heavy duty diesel engine
- 4 cycle, water cooled, turbocharged / air to air charge cooled
- Direct injection
- Mechanic / electronic governor system
- 24 volt self-starter and charger alternator
- Changeable air, fuel and oil filter
- Tropical type radiator
- Flexible fuel pipe
- Oil discharge valve and extension pipe
- Industrial type silencer, exhaust spiral or compensator
- Maintenance free battery
- Engine block water heater (in automatic models)
- Diesel gen-set maintenance and operating instructions and electrical circuit diagram

QUALITY STANDARD

Our gen-sets; VDE 0530, BS 4999, BS 5000, IEC 34, TS ISO 8528, TS EN 12601 are manufactured in accordance with the requirements of standards above. Our company fulfills ISO 9001:2008, ISO 14001:2004, OHSAS 18001:2007 management system requirements, and have the accredited certificates of Kiwa & MEYER. Also we've GOST-R certificate. Our gen-sets have TS ISO 8528-5, TS EN 12601 product standard certificates.

Our gen-sets are CE certified in accordance with the requirements of 2000/14/EC, noise emission directive.

ALTERNATOR

- INFINITY brushless 12 ends alternator
- Single bearing, flexible disc 4 poles alternator for harmonic failure
- H type isolation class
- IP 21-23 protection class, Self-excited
- Electronic automatic voltage regulator
- Stator 2/3 step for harmonic failure
- Leroy Somer, Stamford, SINCRO and Mecc Alte alternators are optional

EXTRA EQUIPMENTS

- Charge ammeter
- Molded case circuit breaker (in automatic models)
- Hospital (critical) type silencer
- Sound-proof canopy
- Mobile - trailer
- Synchronization control panel for 2-6 gensets.
- 4 pole automatic transfer panel (A.T.S.)
- Fuel and oil heater
- Alternator heater
- Automatic fuel filling system
- Fuel-water separator filter

CANOPY

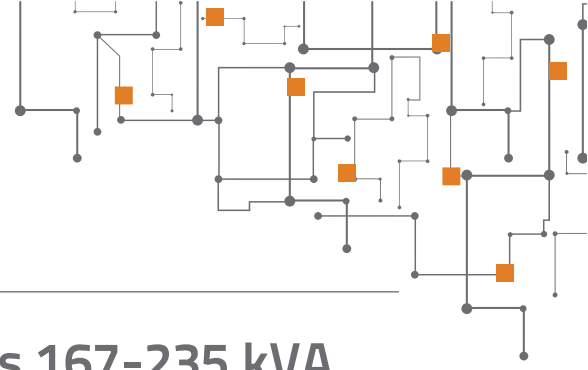
- Modular type sound-proof canopy
- Canopy installation executed with screw and nut, without welding process
- Epoxy and polyester powder painted canopy
- Canopy designed for easy maintenance
- Lockable doors on both sides of canopy
- Emergency stop button
- Transparent panel inspection window

AUTOMATIC CONTROL PANEL

- LCD display screen
- Battery charger
- Hardware and materials needed
- USB port & RS-485 output

GEN-SET SAFETY PROTECTION & ALARMS

- High water temperature
- Low oil pressure
- High & low engine speed
- Low radiator water level
- Over current load
- High & low genset voltage
- Start/stop failure



DEUTZ WP Series Diesel Generator Sets 167-235 kVA

MODEL				IPG167D	IPG180D	IPG200D	IPG220D	IPG235D	
GROUP	GEN - SET POWER	STAND BY	kVA	167	180	200	220	235	
			kW	133,6	144	160	176	188	
		PRIME	kVA	152	164	182	200	214	
			kW	121,5	131	145	160	171	
	CANOPY DIMENSION (W x L x H) mm				1050 x 3580 x 2025	1050 x 3580 x 2025	1050 x 3580 x 2025	1050 x 3580 x 2025	1050 x 3580 x 2025
	CANOPY WEIGHT kg				1980	1980	2005	2120	2160
	OPEN DIMENSION (W x L x H) mm				1050 x 3100 x 1700	1050 x 3100 x 1700	1050 x 3100 x 1700	1050 x 3100 x 1700	1050 x 3100 x 1700
	OPEN WEIGHT kg				1610	1610	1635	1750	1790
ENGINE	BRAND				DEUTZ	DEUTZ	DEUTZ	DEUTZ	DEUTZ
	TYPE				WP6D132E200 - E	WP6D132E200 - D	WP6D132E200 - D	WP6D152E200 - E	WP6D152E200 - D
	POWER	STAND BY	kW	146	175	175	190	203	
			PRIME	kW	133	160	160	172,6	184,5
	SPEED (rpm)				1500	1500	1500	1500	1500
	CYCLE				4	4	4	4	4
	DISPLACEMENT (lt)				6,75	6,75	6,75	6,75	6,75
	NUMBER OF CYLINDERS				6 IN LINE	6 IN LINE	6 IN LINE	6 IN LINE	6 IN LINE
	BORE AND STROKE (mm x mm)				105 x 130	105 x 130	105 x 130	105 x 130	105 x 130
	COMPRESSION RATIO				18:1	18:1	18:1	18:1	18:1
	GOVERNOR TYPE				ELECTRONIC				
	INDUCTION				TURBOCHARGED - AIR TO AIR CHARGE COOLED				
	COMBUSTION SYSTEM				DIRECT INJECTION				
	COOLING SYSTEM				WATER				
	FUEL CONSUMPTION (lt/h)	100% OF PRIME POWER			30,5	32,79	36,44	39,03	42,71
75% OF PRIME POWER			22,94	24,89	27,65	29,41	32,18		
50% OF PRIME POWER			15,48	16,79	18,65	20,31	22,22		
TOTAL LUBRICATION SYSTEM CAPACITY (lt)				20	20	20	20	20	

INFINITYPOWER reserves the right to make changes in model, technical specifications, color, equipment & accessories without prior notice.