

# DEUTZ 40-60 kVA Technical Specifications



## ENGINE

- DEUTZ series heavy duty diesel engine
- 4 cycle, water cooled, naturally / turbocharged
- Direct injection
- Mechanic / electronic governor system
- 12/24 volt self-starter and charger alternator
- Changeable air, fuel and oil filter
- Tropical type radiator
- Flexible fuel pipe
- Oil discharge valve and extension pipe
- Industrial type silencer, exhaust spiral or compensator
- Maintenance free battery
- Engine block water heater (in automatic models)
- Diesel gen-set maintenance and operating instructions and electrical circuit diagram

## QUALITY STANDARD

Our gen-sets; VDE 0530, BS 4999, BS 5000, IEC 34, TS ISO 8528, TS EN 12601 are manufactured in accordance with the requirements of standards above. Our company fulfills ISO 9001:2008, ISO 14001:2004, OHSAS 18001:2007 management system requirements, and have the accredited certificates of Kiwa & MEYER. Also we've GOST-R certificate. Our gen-sets have TS ISO 8528-5, TS EN 12601 product standard certificates.

Our gen-sets are CE certified in accordance with the requirements of 2000/14/EC, noise emission directive.

## ALTERNATOR

- INFINITY brushless 12 ends alternator
- Single bearing, flexible disc 4 poles alternator for harmonic failure
- H type isolation class
- IP 21-23 protection class, Self-excited
- Electronic automatic voltage regulator
- Stator 2/3 step for harmonic failure
- Leroy Somer, Stamford, SINCRO and Mecc Alte alternators are optional

## EXTRA EQUIPMENTS

- Charge ammeter
- Molded case circuit breaker (in automatic models)
- Hospital (critical) type silencer
- Sound-proof canopy
- Mobile - trailer
- Synchronization control panel for 2-6 gensets.
- 4 pole automatic transfer panel (A.T.S.)
- Fuel and oil heater
- Alternator heater
- Automatic fuel filling system
- Fuel-water separator filter

## CANOPY

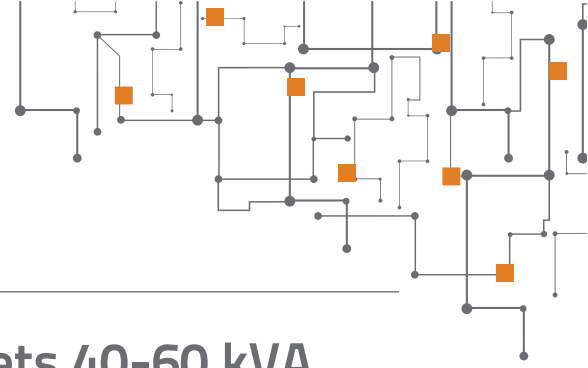
- Modular type sound-proof canopy
- Canopy installation executed with screw and nut, without welding process
- Epoxy and polyester powder painted canopy
- Canopy designed for easy maintenance
- Lockable doors on both sides of canopy
- Emergency stop button
- Transparent panel inspection window

## AUTOMATIC CONTROL PANEL

- LCD display screen
- Battery charger
- Hardware and materials needed
- USB port & RS-485 output

## GEN-SET SAFETY PROTECTION & ALARMS

- High water temperature
- Low oil pressure
- High & low engine speed
- Low radiator water level
- Over current load
- High & low genset voltage
- Start/stop failure



## DEUTZ 226B Series Diesel Generator Sets 40-60 kVA

MODEL				IPG40D	IPG52D	IPG60D	
GROUP	GEN - SET POWER	STAND BY	kVA	40	52	60	
			kW	32	41,6	48	
		PRIME	kVA	36	48	55	
			kW	28,8	38,4	44,0	
	CANOPY DIMENSION (W x L x H) mm				1000 x 2900 x 1710	1000 x 2900 x 1710	1000 x 2900 x 1710
	CANOPY WEIGHT kg				1105	1195	1195
	OPEN DIMENSION (W x L x H) mm				1000 x 2400 x 1385	1000 x 2400 x 1385	1000 x 2400 x 1385
	OPEN WEIGHT kg				825	920	920
ENGINE	BRAND			DEUTZ	DEUTZ	DEUTZ	
	TYPE			D226B-3D	TD226B-3D	TD226B-3D	
	POWER	STAND BY	kW	36,5	55,2	55,2	
		PRIME	kW	32,2	50,2	50,2	
	SPEED (rpm)			1500	1500	1500	
	CYCLE			4	4	4	
	DISPLACEMENT (lt)			3,117	3,117	3,117	
	NUMBER OF CYLINDERS			3 IN LINE	3 IN LINE	3 IN LINE	
	BORE AND STROKE (mm x mm)			105 x 120	105 x 120	105 x 120	
	COMPRESSION RATIO			16,4:1	15,5:1	15,5:1	
	GOVERNOR TYPE			MECHANIC / ELECTRONIC			
	INDUCTION			NATURAL	TURBOCHARGED		
	COMBUSTION SYSTEM			DIRECT INJECTION			
	COOLING SYSTEM			WATER			
	FUEL CONSUMPTION (lt/h)	100% OF PRIME POWER		8,12	11,77	13,58	
75% OF PRIME POWER		6,09	8,83	10,19			
50% OF PRIME POWER		4,06	5,89	6,79			
TOTAL LUBRICATION SYSTEM CAPACITY (lt)			7,25	7,25	7,25		

INFINITYPOWER reserves the right to make changes in model, technical specifications, color, equipment & accessories without prior notice.