

DEUTZ 400-460 kVA Technical Specifications



ENGINE

- DEUTZ 1015 series heavy duty diesel engine
- 4 cycle, water cooled, turbocharged / air to air charge cooled
- Direct injection
- Electronic governor system
- 24 volt self-starter and charger alternator
- Changeable air, fuel and oil filter
- Tropical type radiator
- Flexible fuel pipe
- Oil discharge valve and extension pipe
- Industrial type silencer, exhaust spiral or compensator
- Maintenance free battery
- Engine block water heater (in automatic models)
- Diesel gen-set maintenance and operating instructions and electrical circuit diagram

QUALITY STANDARD

Our gen-sets; VDE 0530, BS 4999, BS 5000, IEC 34, TS ISO 8528, TS EN 12601 are manufactured in accordance with the requirements of standards above. Our company fulfills ISO 9001:2008, ISO 14001:2004, OHSAS 18001:2007 management system requirements, and have the accredited certificates of Kiwa & MEYER. Also we've GOST-R certificate. Our gen-sets have TS ISO 8528-5, TS EN 12601 product standard certificates.

Our gen-sets are CE certified in accordance with the requirements of 2000/14/EC, noise emission directive.

ALTERNATOR

- INFINITY brushless 12 ends alternator
- Single bearing, flexible disc 4 poles alternator for harmonic failure
- H type isolation class
- IP 21-23 protection class, Self-excited
- Electronic automatic voltage regulator
- Stator 2/3 step for harmonic failure
- Leroy Somer, Stamford, SINCRO and Mecc Alte alternators are optional

EXTRA EQUIPMENTS

- Charge ammeter
- Molded case circuit breaker (in automatic models)
- Hospital (critical) type silencer
- Sound-proof canopy
- Mobile - trailer
- Synchronization control panel for 2-6 gensets.
- 4 pole automatic transfer panel (A.T.S.)
- Fuel and oil heater
- Alternator heater
- Automatic fuel filling system
- Fuel-water separator filter

CANOPY

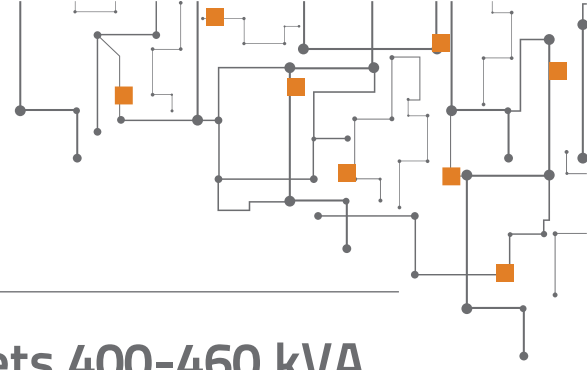
- Modular type sound-proof canopy
- Canopy installation executed with screw and nut, without welding process
- Epoxy and polyester powder painted canopy
- Canopy designed for easy maintenance
- Lockable doors on both sides of canopy
- Emergency stop button
- Transparent panel inspection window

AUTOMATIC CONTROL PANEL

- LCD display screen
- Battery charger
- Hardware and materials needed
- USB port & RS-485 output

GEN-SET SAFETY PROTECTION & ALARMS

- High water temperature
- Low oil pressure
- High & low engine speed
- Low radiator water level
- Over current load
- High & low genset voltage
- Start/stop failure



DEUTZ 1015 Series Diesel Generator Sets 400-460 kVA

MODEL			IPG400D	IPG430D	IPG460D	
GROUP	GEN - SET POWER	STAND BY	kVA	400	430	460
			kW	320	344	368
		PRIME	kVA	365	392	415
			kW	292	314	332
	CANOPY DIMENSION (W x L x H) mm			1600 x 3600 x 2550	1600 x 3600 x 2550	1600 x 3600 x 2550
	CANOPY WEIGHT kg			3340	3460	3460
	OPEN DIMENSION (W x L x H) mm			1600 x 3000 x 2650	1600 x 3000 x 2650	1600 x 3000 x 2650
	OPEN WEIGHT kg			2700	2750	2750
ENGINE	BRAND			DEUTZ	DEUTZ	DEUTZ
	TYPE			BF6M1015C-LA-G3A	BF6M1015C-LA-G4A	BF6M1015CP-LA-G
	POWER	STAND BY	kW	314,0	345,0	365,0
		PRIME	kW	285,5	313,6	331,8
	SPEED (rpm)			1500	1500	1500
	CYCLE			4	4	4
	DISPLACEMENT (lt)			11,906	11,906	11,906
	NUMBER OF CYLINDERS			6 CYLINDERS- V TYPE	6 CYLINDERS- V TYPE	6 CYLINDERS- V TYPE
	BORE AND STROKE (mm x mm)			132 x 145	132 x 145	132 x 145
	COMPRESSION RATIO			16.5:1	16.5:1	16.5:1
	GOVERNOR TYPE			ELECTRONIC		
	INDUCTION			TURBOCHARGED - AIR TO AIR CHARGE COOLED		
	COMBUSTION SYSTEM			DIRECT INJECTION		
	COOLING SYSTEM			WATER		
	FUEL CONSUMPTION (lt/h)	100% OF PRIME POWER		70,08	79,63	83,85
		75% OF PRIME POWER		52,39	58,88	62,59
50% OF PRIME POWER		34,70	38,12	41,33		
TOTAL LUBRICATION SYSTEM CAPACITY (lt)			36	36	36	

INFINITYPOWER reserves the right to make changes in model, technical specifications, color, equipment & accessories without prior notice.