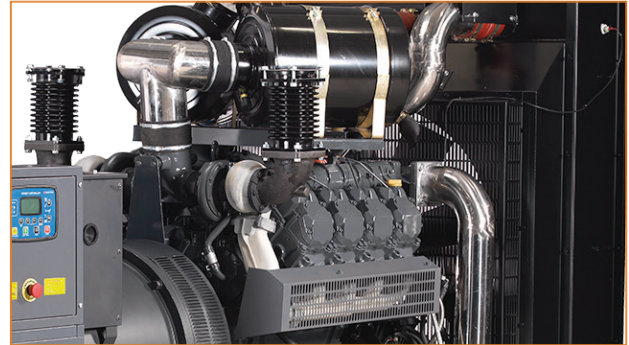
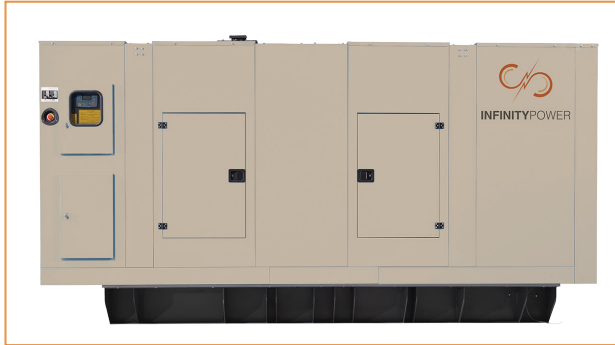


## DEUTZ 615-825 kVA Technical Specifications



### ENGINE

- DEUTZ 1015 series heavy duty diesel engine
- 4 cycle, water cooled, turbocharged / air to air charge cooled
- Direct injection
- Electronic governor system
- 24 volt self-starter and charger alternator
- Changeable air, fuel and oil filter
- Tropical type radiator
- Flexible fuel pipe
- Oil discharge valve and extension pipe
- Industrial type silencer, exhaust spiral or compensator
- Maintenance free battery
- Engine block water heater (in automatic models)
- Diesel gen-set maintenance and operating instructions and electrical circuit diagram

### QUALITY STANDARD

Our gen-sets; VDE 0530, BS 4999, BS 5000, IEC 34, TS ISO 8528, TS EN 12601 are manufactured in accordance with the requirements of standards above. Our company fulfills ISO 9001:2008, ISO 14001:2004, OHSAS 18001:2007 management system requirements, and have the accredited certificates of Kiwa & MEYER. Also we've GOST-R certificate. Our gen-sets have TS ISO 8528-5, TS EN 12601 product standard certificates.

Our gen-sets are CE certified in accordance with the requirements of 2000/14/EC, noise emission directive.

### ALTERNATOR

- INFINITY brushless 12 ends alternator
- Single bearing, flexible disc 4 poles alternator for harmonic failure
- H type isolation class
- IP 21-23 protection class, Self-excited
- Electronic automatic voltage regulator
- Stator 2/3 step for harmonic failure
- Leroy Somer, Stamford, SINCRO and Mecc Alte alternators are optional

### EXTRA EQUIPMENTS

- Charge ammeter
- Molded case circuit breaker (in automatic models)
- Hospital (critical) type silencer
- Sound-proof canopy
- Mobile - trailer
- Synchronization control panel for 2-6 gensets.
- 4 pole automatic transfer panel (A.T.S.)
- Fuel and oil heater
- Alternator heater
- Automatic fuel filling system
- Fuel-water separator filter

### CANOPY

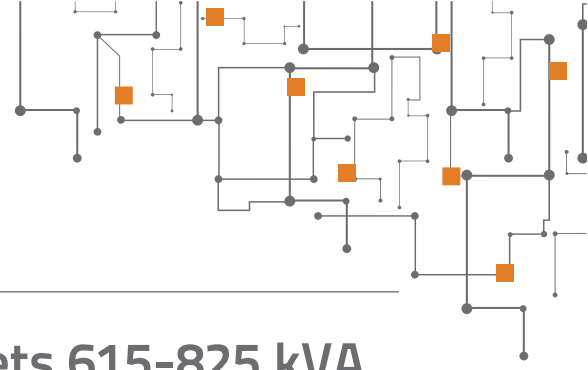
- Modular type sound-proof canopy
- Canopy installation executed with screw and nut, without welding process
- Epoxy and polyester powder painted canopy
- Canopy designed for easy maintenance
- Lockable doors on both sides of canopy
- Emergency stop button
- Transparent panel inspection window

### AUTOMATIC CONTROL PANEL

- LCD display screen
- Battery charger
- Hardware and materials needed
- USB port & RS-485 output

### GEN-SET SAFETY PROTECTION & ALARMS

- High water temperature
- Low oil pressure
- High & low engine speed
- Low radiator water level
- Over current load
- High & low genset voltage
- Start/stop failure



## DEUTZ 1015 Series Diesel Generator Sets 615-825 kVA

MODEL				IPG615D	IPG640D	IPG675D	IPG700D	IPG825D
GROUP	GEN - SET POWER	STAND BY	kVA	615	640	675	700	825
			kW	492	512	540	560	660
		PRIME	kVA	555	580	614	636	750
			kW	444	464	491	509	600
	CANOPY DIMENSION (W x L x H) mm			1600 x 4000 x 2665	1600 x 4000 x 2665	1600 x 4000 x 2665	1600 x 4000 x 2665	2100 x 4970 x 3070
	CANOPY WEIGHT kg			4080	4150	4200	4250	5230
	OPEN DIMENSION (W x L x H) mm			1600x 3500 x 2680	1600x 3500 x 2680	1600x 3500 x 2680	1600x 3500 x 2680	1900 x 4000 x 2865
	OPEN WEIGHT kg			3420	3490	3540	3540	4130
ENGINE	BRAND			DEUTZ	DEUTZ	DEUTZ	DEUTZ	DEUTZ
	TYPE			BF8M1015CP-LA-G2	BF8M1015CP-LA-G3	BF8M1015CP-LA-G4	BF8M1015CP-LA-G5	HC12V132ZL
	POWER	STAND BY	kW	490,0	509,0	540,0	560,0	740,0
		PRIME	kW	445,5	462,7	490,9	509,1	660,0
	SPEED (rpm)			1500	1500	1500	1500	1500
	CYCLE			4	4	4	4	4
	DISPLACEMENT (lt)			15,874	15,874	15,874	15,874	23,812
	NUMBER OF CYLINDERS			8 CYLINDERS- V TYPE	8 CYLINDERS- V TYPE	8 CYLINDERS- V TYPE	8 CYLINDERS- V TYPE	12 CYLINDERS- V TYPE
	BORE AND STROKE (mm x mm)			132 x 145	132 x 145	132 x 145	132 x 145	132 x 145
	COMPRESSION RATIO			16.5:1	16.5:1	16.5:1	16.5:1	16,5:1
	GOVERNOR TYPE			ELECTRONIC				
	INDUCTION			TURBOCHARGED - AIR TO AIR CHARGE COOLED				
	COMBUSTION SYSTEM			DIRECT INJECTION				
	COOLING SYSTEM			WATER				
	FUEL CONSUMPTION (lt/h)	100% OF PRIME POWER		117,37	125,24	132,87	137,79	155,29
		75% OF PRIME POWER		86,56	91,02	73,77	79,08	116,47
50% OF PRIME POWER		55,75	56,80	60,26	62,49	77,65		
TOTAL LUBRICATION SYSTEM CAPACITY (lt)			48	48	48	48	48	

INFINITYPOWER reserves the right to make changes in model, technical specifications, color, equipment & accessories without prior notice.