

DEUTZ 70-110 kVA Technical Specifications



ENGINE

- DEUTZ WP series heavy duty diesel engine
- 4 cycle, water cooled, turbocharged
- Direct injection
- Mechanic / electronic governor system
- 12/24 volt self-starter and charger alternator
- Changeable air, fuel and oil filter
- Tropical type radiator
- Flexible fuel pipe
- Oil discharge valve and extension pipe
- Industrial type silencer, exhaust spiral or compensator
- Maintenance free battery
- Engine block water heater (in automatic models)
- Diesel gen-set maintenance and operating instructions and electrical circuit diagram

QUALITY STANDARD

Our gen-sets; VDE 0530, BS 4999, BS 5000, IEC 34, TS ISO 8528, TS EN 12601 are manufactured in accordance with the requirements of standards above. Our company fulfills ISO 9001:2008, ISO 14001:2004, OHSAS 18001:2007 management system requirements, and have the accredited certificates of Kiwa & MEYER. Also we've GOST-R certificate. Our gen-sets have TS ISO 8528-5, TS EN 12601 product standard certificates.

Our gen-sets are CE certified in accordance with the requirements of 2000/14/EC, noise emission directive.

ALTERNATOR

- INFINITY brushless 12 ends alternator
- Single bearing, flexible disc 4 poles alternator for harmonic failure
- H type isolation class
- IP 21-23 protection class, Self-excited
- Electronic automatic voltage regulator
- Stator 2/3 step for harmonic failure
- Leroy Somer, Stamford, SINCRO and Mecc Alte alternators are optional

EXTRA EQUIPMENTS

- Charge ammeter
- Molded case circuit breaker (in automatic models)
- Hospital (critical) type silencer
- Sound-proof canopy
- Mobile - trailer
- Synchronization control panel for 2-6 gensets.
- 4 pole automatic transfer panel (A.T.S.)
- Fuel and oil heater
- Alternator heater
- Automatic fuel filling system
- Fuel-water separator filter

CANOPY

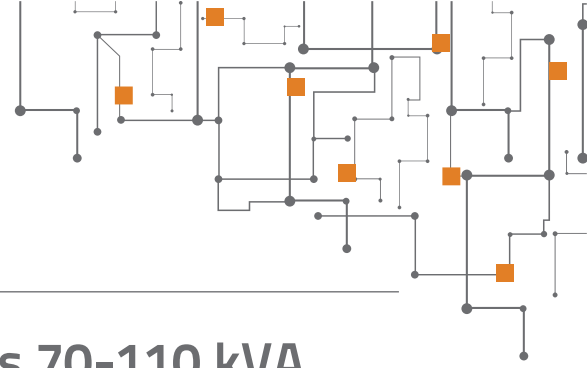
- Modular type sound-proof canopy
- Canopy installation executed with screw and nut, without welding process
- Epoxy and polyester powder painted canopy
- Canopy designed for easy maintenance
- Lockable doors on both sides of canopy
- Emergency stop button
- Transparent panel inspection window

AUTOMATIC CONTROL PANEL

- LCD display screen
- Battery charger
- Hardware and materials needed
- USB port & RS-485 output

GEN-SET SAFETY PROTECTION & ALARMS

- High water temperature
- Low oil pressure
- High & low engine speed
- Low radiator water level
- Over current load
- High & low genset voltage
- Start/stop failure



DEUTZ WP Series Diesel Generator Sets 70-110 kVA

MODEL			IPG70D	IPG82D	IPG90D	IPG110D	
GROUP	GEN - SET POWER	STAND BY	kVA	70	82	90	110
			kW	56	65,6	72	88
		PRIME	kVA	65	75	82	100
			kW	52,0	60,0	65,6	80
	CANOPY DIMENSION (W x L x H) mm			1000 x 2900 x 1710	1000 x 2900 x 1710	1000 x 2900 x 1710	1000 x 2900 x 1710
	CANOPY WEIGHT kg			1340	1410	1410	1410
	OPEN DIMENSION (W x L x H) mm			1000 x 2400 x 1480	1000 x 2400 x 1480	1000 x 2400 x 1480	1000 x 2400 x 1480
	OPEN WEIGHT kg			1060	1100	1100	1130
ENGINE	BRAND			DEUTZ	DEUTZ	DEUTZ	DEUTZ
	TYPE			WP4D66E200 - E	WP4D66E200-D	WP4D66E200-D	WP4D66E200-D
	POWER	STAND BY	kW	66	99	99	99
		PRIME	kW	60	90	90	90
	SPEED (rpm)			1500	1500	1500	1500
	CYCLE			4	4	4	4
	DISPLACEMENT (lt)			4,5	4,5	4,5	4,5
	NUMBER OF CYLINDERS			4 IN LINE	4 IN LINE	4 IN LINE	4 IN LINE
	BORE AND STROKE (mm x mm)			105 x 130	105 x 130	105 x 130	105 x 130
	COMPRESSION RATIO			18:1	18:1	18:1	18:1
	GOVERNOR TYPE			MECHANIC / ELECTRONIC			
	INDUCTION			TURBOCHARGED			
	COMBUSTION SYSTEM			DIRECT INJECTION			
	COOLING SYSTEM			WATER			
	FUEL CONSUMPTION (lt/h)	100% OF PRIME POWER		13,84	15,47	17,00	20,76
75% OF PRIME POWER		10,50	11,74	12,90	15,76		
50% OF PRIME POWER		7,50	8,39	9,21	11,26		
TOTAL LUBRICATION SYSTEM CAPACITY (lt)			10	10	10	10	

INFINITYPOWER reserves the right to make changes in model, technical specifications, color, equipment & accessories without prior notice.