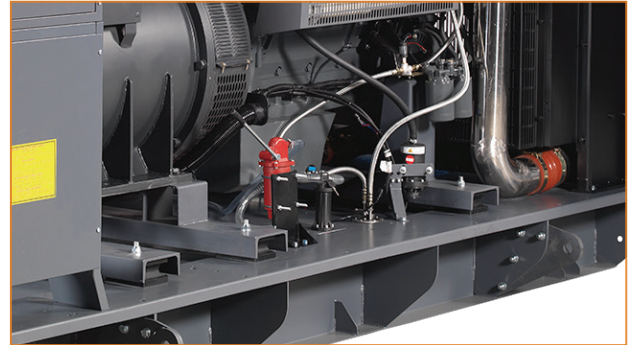
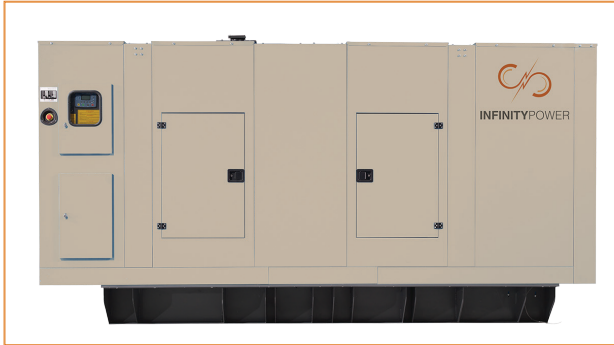


DEUTZ/WEICHAI WP 275-360 kVA Technical Specifications



ENGINE

- WEICHAI WP series heavy duty diesel engine
- 4 cycle, water cooled, turbocharged & air to air charge cooled
- Direct injection
- Electronic governor system
- 24 volt self-starter and charger alternator
- Changeable air, fuel and oil filter
- Tropical type radiator
- Flexible fuel pipe
- Oil discharge valve and extension pipe
- Industrial type silencer, exhaust spiral or compensator
- Maintenance free battery
- Engine block water heater (in automatic models)
- Diesel gen-set maintenance and operating instructions and electrical circuit diagram

QUALITY STANDARD

Our gen-sets; VDE 0530, BS 4999, BS 5000, IEC 34, TS ISO 8528, TS EN 12601 are manufactured in accordance with the requirements of standards above. Our company fulfills ISO 9001:2008, ISO 14001:2004, OHSAS 18001:2007 management system requirements, and have the accredited certificates of Kiwa & MEYER. Also we've GOST-R certificate. Our gen-sets have TS ISO 8528-5, TS EN 12601 product standard certificates.

Our gen-sets are CE certified in accordance with the requirements of 2000/14/EC, noise emission directive.

ALTERNATOR

- INFINITY brushless 12 ends alternator
- Single bearing, flexible disc 4 poles alternator for harmonic failure
- H type isolation class
- IP 21-23 protection class, Self-excited
- Electronic automatic voltage regulator
- Stator 2/3 step for harmonic failure
- Leroy Somer, Stamford, SINCRO and Mecc Alte alternators are optional

EXTRA EQUIPMENTS

- Charge ammeter
- Molded case circuit breaker (in automatic models)
- Hospital (critical) type silencer
- Sound-proof canopy
- Mobile - trailer
- Synchronization control panel for 2-6 gensets.
- 4 pole automatic transfer panel (A.T.S.)
- Fuel and oil heater
- Alternator heater
- Automatic fuel filling system
- Fuel-water separator filter

CANOPY

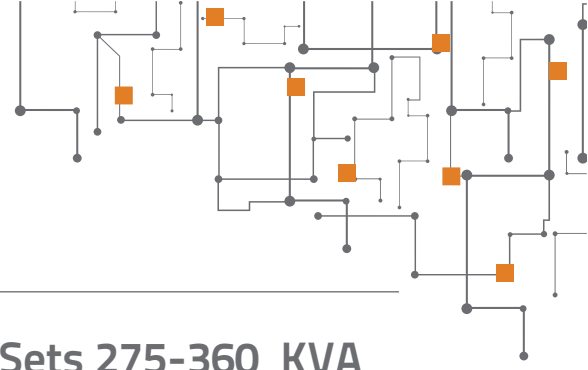
- Modular type sound-proof canopy
- Canopy installation executed with screw and nut, without welding process
- Epoxy and polyester powder painted canopy
- Canopy designed for easy maintenance
- Lockable doors on both sides of canopy
- Emergency stop button
- Transparent panel inspection window

AUTOMATIC CONTROL PANEL

- LCD display screen
- Battery charger
- Hardware and materials needed
- USB port & RS-485 output

GEN-SET SAFETY PROTECTION & ALARMS

- High water temperature
- Low oil pressure
- High & low engine speed
- Low radiator water level
- Over current load
- High & low genset voltage
- Start/stop failure



DEUTZ/WEICHAH WP Series Diesel Generator Sets 275-360 KVA

| MODEL | | | IPG275DW | IPG290DW | IPG330DW | IPG360DW | |
|--|---------------------------------|---------------------|----------|---|--------------------|--------------------|--------------------|
| GROUP | GEN - SET POWER | STAND BY | kVA | 275 | 290 | 330 | 360 |
| | | | kW | 220 | 232 | 264 | 288 |
| | | PRIME | kVA | 250 | 264 | 300 | 327 |
| | | | kW | 200 | 211 | 240 | 262 |
| | CANOPY DIMENSION (W x L x H) mm | | | 1150 x 3900 x 2785 | 1150 x 3900 x 2785 | 1150 x 3900 x 2785 | 1150 x 3900 x 2785 |
| | CANOPY WEIGHT kg | | | 2820 | 2820 | 2830 | 2900 |
| | OPEN DIMENSION (W x L x H) mm | | | 1150 x 3340 x 2070 | 1150 x 3340 x 2070 | 1150 x 3340 x 2070 | 1150 x 3340 x 2070 |
| | OPEN WEIGHT kg | | | 2340 | 2340 | 2350 | 2420 |
| ENGINE | BRAND | | | DEUTZ/WEICHAH | DEUTZ/WEICHAH | DEUTZ/WEICHAH | DEUTZ/WEICHAH |
| | TYPE | | | WP10D200E200 - E | WP10D200E200 - D | WP10D238E200 - E | WP10D264E200 - E |
| | POWER | STAND BY | kW | 238 | 253 | 287 | 311 |
| | | PRIME | kW | 216 | 230 | 261 | 282 |
| | SPEED (rpm) | | | 1500 | 1500 | 1500 | 1500 |
| | CYCLE | | | 4 | 4 | 4 | 4 |
| | DISPLACEMENT (lt) | | | 9,726 | 9,726 | 9,726 | 9,726 |
| | NUMBER OF CYLINDERS | | | 6 IN LINE | 6 IN LINE | 6 IN LINE | 6 IN LINE |
| | BORE AND STROKE (mm x mm) | | | 126 x 130 | 126 x 130 | 126 x 130 | 126 x 130 |
| | COMPRESSION RATIO | | | 17:1 | 17:1 | 17:1 | 17:1 |
| | GOVERNOR TYPE | | | ELECTRONIC | | | |
| | INDUCTION | | | TURBOCHARGED - AIR TO AIR CHARGE COOLED | | | |
| | COMBUSTION SYSTEM | | | DIRECT INJECTION | | | |
| | COOLING SYSTEM | | | WATER | | | |
| | FUEL CONSUMPTION (lt/h) | 100% OF PRIME POWER | | 48,92 | 52,03 | 59,39 | 64,79 |
| 75% OF PRIME POWER | | 37,03 | 39,39 | 44,68 | 48,42 | | |
| 50% OF PRIME POWER | | 25,97 | 27,63 | 30,54 | 32,91 | | |
| TOTAL LUBRICATION SYSTEM CAPACITY (lt) | | | 24 | 24 | 24 | 24 | |

INFINITYPOWER reserves the right to make changes in model, technical specifications, color, equipment & accessories without prior notice.