

INFINITY 125-275 kVA Technical Specifications



ENGINE

- INFINITY series heavy duty diesel engine
- 4 cycle, water cooled, turbocharged air to air charge cooled
- Direct injection
- Mechanic / electronic governor system
- 12/24 volt self-starter and charger alternator
- Changeable air, fuel and oil filter
- Tropical type radiator
- Flexible fuel pipe
- Oil discharge valve and extension pipe
- Industrial type silencer, exhaust spiral or compensator
- Maintenance free battery
- Engine block water heater (in automatic models)
- Diesel gen-set maintenance and operating instructions and electrical circuit diagram

QUALITY STANDARD

Our gen-sets; VDE 0530, BS 4999, BS 5000, IEC 34, TS ISO 8528, TS EN 12601 are manufactured in accordance with the requirements of standards above. Our company fulfills ISO 9001:2008, ISO 14001:2004, OHSAS 18001:2007 management system requirements, and have the accredited certificates of Kiwa & MEYER. Also we've GOST-R certificate. Our gen-sets have TS ISO 8528-5, TS EN 12601 product standard certificates.

Our gen-sets are CE certified in accordance with the requirements of 2000/14/EC, noise emission directive.

ALTERNATOR

- INFINITY brushless 12 ends alternator
- Single bearing, flexible disc 4 poles alternator for harmonic failure
- H type isolation class
- IP 21-23 protection class, Self-excited
- Electronic automatic voltage regulator
- Stator 2/3 step for harmonic failure
- Leroy Somer, Stamford, SINCRO and Mecc Alte alternators are optional

EXTRA EQUIPMENTS

- Charge ammeter
- Molded case circuit breaker (in automatic models)
- Hospital (critical) type silencer
- Sound-proof canopy
- Mobile - trailer
- Synchronization control panel for 2-6 gensets.
- 4 pole automatic transfer panel (A.T.S.)
- Fuel and oil heater
- Alternator heater
- Automatic fuel filling system
- Fuel-water separator filter

CANOPY

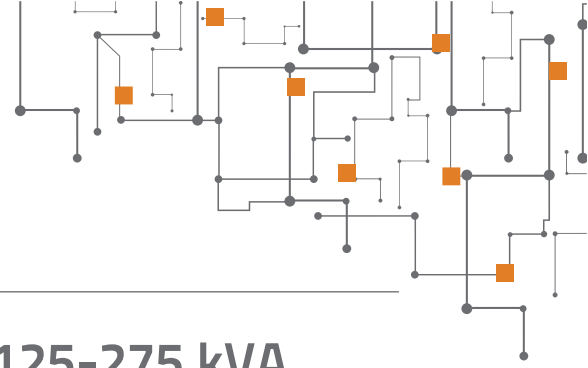
- Modular type sound-proof canopy
- Canopy installation executed with screw and nut, without welding process
- Epoxy and polyester powder painted canopy
- Canopy designed for easy maintenance
- Lockable doors on both sides of canopy
- Emergency stop button
- Transparent panel inspection window

AUTOMATIC CONTROL PANEL

- LCD display screen
- Battery charger
- Hardware and materials needed
- USB port & RS-485 output

GEN-SET SAFETY PROTECTION & ALARMS

- High water temperature
- Low oil pressure
- High & low engine speed
- Low radiator water level
- Over current load
- High & low genset voltage
- Start/stop failure



INFINITY Series Diesel Generator Sets 125-275 kVA

MODEL			IPG125i	IPG165i	IPG200i	IPG275i	
GROUP	GEN - SET POWER	STAND BY	kVA	125	165	200	275
			kW	100	132	160	220
		PRIME	kVA	113	150	180	250
			kW	91	120	144	200
	CANOPY DIMENSION (W x L x H) mm			1080 x 3030 x 1650	1130 x 3180 x 1650	1250 x 3480 x 1750	1350 x 3880 x 1950
	CANOPY WEIGHT kg			2150	2150	2250	2820
	OPEN DIMENSION (W x L x H) mm			900 x 2250 x 1450	900 x 2400 x 1450	1020 x 2450 x 1550	1020 x 2850 x 1600
	OPEN WEIGHT kg			1600	1600	1680	1800
ENGINE	BRAND			INFINITY	INFINITY	INFINITY	INFINITY
	TYPE			R6105ZLDS1	R6105BZLDS1	R6110ZLDS	6126-260D
	POWER	STAND BY	kW	125	148	180	275
		PRIME	kW	113	134	165	250
	SPEED (rpm)			1500	1500	1500	1500
	CYCLE			4	4	4	4
	DISPLACEMENT (lt)			6,49	7	7	10
	NUMBER OF CYLINDERS			6 IN LINE	6 IN LINE	6 IN LINE	6 IN LINE
	BORE AND STROKE (mm x mm)			105 x 125	105 x 125	110 x 125	126 x 135
	COMPRESSION RATIO			16:1	16:1	16:1	18:1
	GOVERNOR TYPE			MECHANIC / ELECTRONIC			
	INDUCTION			TURBOCHARGED - AIR TO AIR CHARGE COOLED			
	COMBUSTION SYSTEM			DIRECT INJECTION			
	COOLING SYSTEM			WATER			
	FUEL CONSUMPTION (lt/h)	100% OF PRIME POWER		26	34	42	64
75% OF PRIME POWER		19,6	26	31	48		
50% OF PRIME POWER		13	17	21	32		
TOTAL LUBRICATION SYSTEM CAPACITY (lt)			17	19	25	28	

INFINITYPOWER reserves the right to make changes in model, technical specifications, color, equipment & accessories without prior notice.