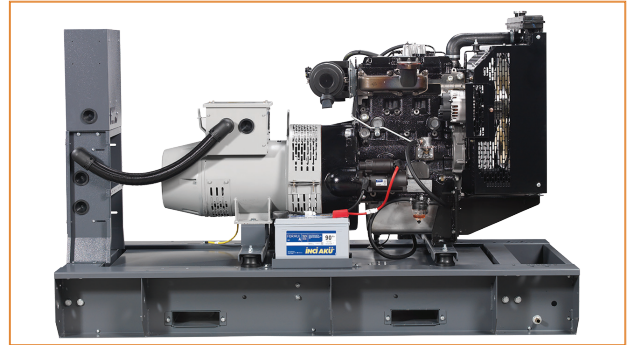


PERKINS 150-220 kVA Technical Specifications



ENGINE

- PERKINS series heavy duty diesel engine
- 4 cycle, water cooled, turbocharged / turbocharged & air to air charge cooled
- Direct injection
- Electronic governor system
- 12/24 volt self-starter and charger alternator
- Changeable air, fuel and oil filter
- Tropical type radiator
- Flexible fuel pipe
- Oil discharge valve and extension pipe
- Industrial type silencer, exhaust spiral or compensator
- Maintenance free battery
- Engine block water heater (in automatic models)
- Diesel gen-set maintenance and operating instructions and electrical circuit diagram

QUALITY STANDARD

Our gen-sets; VDE 0530, BS 4999, BS 5000, IEC 34, TS ISO 8528, TS EN 12601 are manufactured in accordance with the requirements of standards above. Our company fulfills ISO 9001:2008, ISO 14001:2004, OHSAS 18001:2007 management system requirements, and have the accredited certificates of Kiwa & MEYER. Also we've GOST-R certificate. Our gen-sets have TS ISO 8528-5, TS EN 12601 product standard certificates. Our gen-sets are CE certified in accordance with the requirements of 2000/14/EC, noise emission directive.

ALTERNATOR

- INFINITY brushless 12 ends alternator
- Single bearing, flexible disc 4 poles alternator for harmonic failure
- H type isolation class
- IP 21-23 protection class, Self-excited
- Electronic automatic voltage regulator
- Stator 2/3 step for harmonic failure
- Leroy Somer, Stamford, SINCRO and Mecc Alte alternators are optional

EXTRA EQUIPMENTS

- Charge ammeter
- Molded case circuit breaker (in automatic models)
- Hospital (critical) type silencer
- Sound-proof canopy
- Mobile - trailer
- Synchronization control panel for 2-6 gensets.
- 4 pole automatic transfer panel (A.T.S.)
- Fuel and oil heater
- Alternator heater
- Automatic fuel filling system
- Fuel-water separator filter

CANOPY

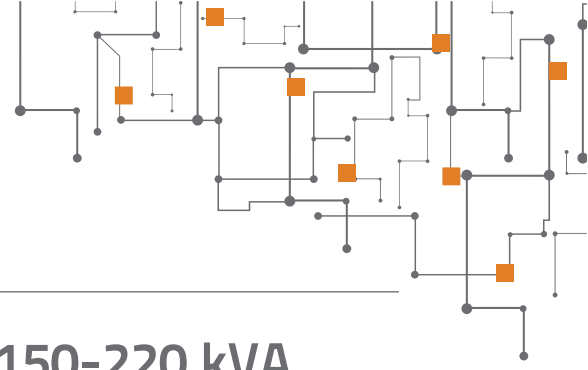
- Modular type sound-proof canopy
- Canopy installation executed with screw and nut, without welding process
- Epoxy and polyester powder painted canopy
- Canopy designed for easy maintenance
- Lockable doors on both sides of canopy
- Emergency stop button
- Transparent panel inspection window

AUTOMATIC CONTROL PANEL

- LCD display screen
- Battery charger
- Hardware and materials needed
- USB port & RS-485 output

GEN-SET SAFETY PROTECTION & ALARMS

- High water temperature
- Low oil pressure
- High & low engine speed
- Low radiator water level
- Over current load
- High & low genset voltage
- Start/stop failure



PERKINS Series Diesel Generator Sets 150-220 kVA

MODEL			IPG150P	IPG165P	IPG200P	IPG220P	
GROUP	GEN - SET POWER	STAND BY	kVA	150	165	200	220
			kW	120	132	160	176
		PRIME	kVA	135	150	180	200
			kW	108	120	144	160
	CANOPY DIMENSION (W x L x H) mm			1050 x 3580 x 2025	1050 x 3580 x 2025	1050 x 3580 x 2025	1050 x 3580 x 2025
	CANOPY WEIGHT kg			1950	1970	2125	2130
	OPEN DIMENSION (W x L x H) mm			1050 x 3100 x 1670	1050 x 3100 x 1670	1050 x 3100 x 1670	1050 x 3100 x 1670
	OPEN WEIGHT kg			1591	1611	1766	1771
ENGINE	BRAND			PERKINS	PERKINS	PERKINS	PERKINS
	TYPE			1106A - 70TG1	1106A - 70TAG2	1106A - 70TAG3	1106A - 70TAG4
	POWER	STAND BY	kW	131,4	144,1	175,2	191,3
		PRIME	kW	118,3	131	157,7	173,9
	SPEED (rpm)			1500	1500	1500	1500
	CYCLE			4	4	4	4
	DISPLACEMENT (lt)			7,01	7,01	7,01	7,01
	NUMBER OF CYLINDERS			6 IN LINE	6 IN LINE	6 IN LINE	6 IN LINE
	BORE AND STROKE (mm x mm)			105 x 135	105 x 135	105 x 135	105 x 135
	COMPRESSION RATIO			18,2 : 1	16:01	16:01	16:01
	GOVERNOR TYPE			ELECTRONIC			
	INDUCTION			TURBOCHARGED	TURBOCHARGED - AIR TO AIR CHARGE COOLED		
	COMBUSTION SYSTEM			DIRECT INJECTION			
	COOLING SYSTEM			WATER			
	FUEL CONSUMPTION (lt/h)	100% OF PRIME POWER		30,20	33,40	40,48	44,53
75% OF PRIME POWER		22,70	24,70	29,94	32,93		
50% OF PRIME POWER		15,90	16,40	19,88	21,87		
TOTAL LUBRICATION SYSTEM CAPACITY (lt)			18,0	16,5	16,5	16,5	

INFINITYPOWER reserves the right to make changes in model, technical specifications, color, equipment & accessories without prior notice.