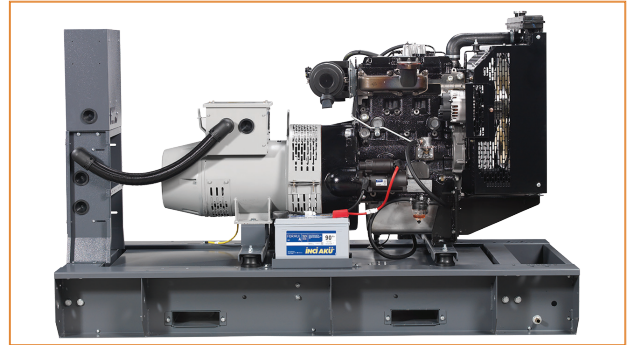


PERKINS 33-112 kVA Technical Specifications



ENGINE

- PERKINS series heavy duty diesel engine
- 4 cycle, water cooled, natural / turbocharged / turbocharged & air to air charge cooled
- Direct injection
- Rotary type pump
- 12/24 volt self-starter and charger alternator
- Changeable air, fuel and oil filter
- Tropical type radiator
- Flexible fuel pipe
- Oil discharge valve and extension pipe
- Industrial type silencer, exhaust spiral or compensator
- Maintenance free battery
- Engine block water heater (in automatic models)
- Diesel gen-set maintenance and operating instructions and electrical circuit diagram

QUALITY STANDARD

Our gen-sets; VDE 0530, BS 4999, BS 5000, IEC 34, TS ISO 8528, TS EN 12601 are manufactured in accordance with the requirements of standards above. Our company fulfills ISO 9001:2008, ISO 14001:2004, OHSAS 18001:2007 management system requirements, and have the accredited certificates of Kiwa & MEYER. Also we've GOST-R certificate. Our gen-sets have TS ISO 8528-5, TS EN 12601 product standard certificates. Our gen-sets are CE certified in accordance with the requirements of 2000/14/EC, noise emission directive.

ALTERNATOR

- INFINITY brushless 12 ends alternator
- Single bearing, flexible disc 4 poles alternator for harmonic failure
- H type isolation class
- IP 21-23 protection class, Self-excited
- Electronic automatic voltage regulator
- Stator 2/3 step for harmonic failure
- Leroy Somer, Stamford, SINCRO and Mecc Alte alternators are optional

EXTRA EQUIPMENTS

- Charge ammeter
- Molded case circuit breaker (in automatic models)
- Hospital (critical) type silencer
- Sound-proof canopy
- Mobile - trailer
- Synchronization control panel for 2-6 gensets.
- 4 pole automatic transfer panel (A.T.S.)
- Fuel and oil heater
- Alternator heater
- Automatic fuel filling system
- Fuel-water separator filter

CANOPY

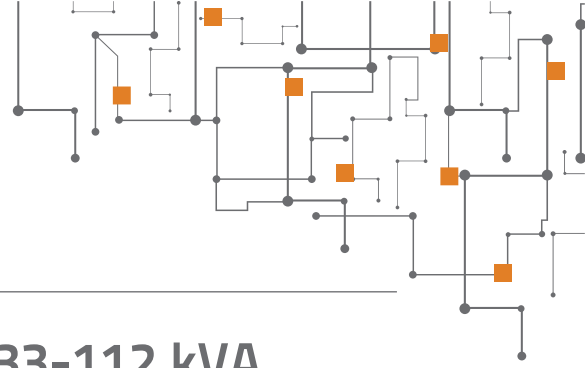
- Modular type sound-proof canopy
- Canopy installation executed with screw and nut, without welding process
- Epoxy and polyester powder painted canopy
- Canopy designed for easy maintenance
- Lockable doors on both sides of canopy
- Emergency stop button
- Transparent panel inspection window

AUTOMATIC CONTROL PANEL

- LCD display screen
- Battery charger
- Hardware and materials needed
- USB port & RS-485 output

GEN-SET SAFETY PROTECTION & ALARMS

- High water temperature
- Low oil pressure
- High & low engine speed
- Low radiator water level
- Over current load
- High & low genset voltage
- Start/stop failure



PERKINS Series Diesel Generator Sets 33-112 kVA

MODEL				IPG33P	IPG50P	IPG66P	IPG70P	IPG88P	IPG110P
GROUP	GEN - SET POWER	STAND BY	kVA	33	49,6	66	71,5	88	112
			kW	26,4	39,7	52,8	57,2	70,4	89,6
		PRIME	kVA	30	45	60	65	80	101,4
			kW	24	36	48	52	64	81,1
	CANOPY DIMENSION (W x L x H) mm			1000 x 2900 x 1710	1000 x 2900 x 1710	1000 x 2900 x 1710	1000 x 2900 x 1710	1000 x 2900 x 1710	1000 x 2900 x 1710
	CANOPY WEIGHT kg			1080	1185	1210	1285	1305	1410
	OPEN DIMENSION (W x L x H) mm			1000 x 2400 x 1345	1000 x 2400 x 1345	1000 x 2400 x 1345	1000 x 2400 x 1345	1000 x 2400 x 1345	1000 x 2400 x 1345
	OPEN WEIGHT kg			1000	1185	1210	1285	1305	1410
ENGINE	BRAND			PERKINS	PERKINS	PERKINS	PERKINS	PERKINS	PERKINS
	TYPE			1103A - 33G	1103A - 33TG1	1103A - 33TG2	1104A - 44TG1	1104A - 44TG2	1104C - 44TAG2
	POWER	STAND BY	kW	30,4	45,6	59,3	64,3	79,1	99,5
		PRIME	kW	27,7	41,3	53,8	58,4	71,9	90,1
	SPEED (rpm)			1500	1500	1500	1500	1500	1500
	CYCLE			4	4	4	4	4	4
	DISPLACEMENT (lt)			3,3	3,3	3,3	4,4	4,4	4,4
	NUMBER OF CYLINDERS			3 IN LINE	3 IN LINE	3 IN LINE	4 IN LINE	4 IN LINE	4 IN LINE
	BORE AND STROKE (mm x mm)			105 x 127	105 x 127	105 x 127	105 x 127	105 x 127	105 x 127
	COMPRESSION RATIO			19,25 : 1	17,25 : 1	17,25 : 1	17,25 : 1	17,25 : 1	18,2 : 1
	GOVERNOR TYPE			ROTARY TYPE PUMP					
	INDUCTION			NATURAL	TURBOCHARGED				TURBOCHARGED - AIR TO AIR CHARGE COOLED
	COMBUSTION SYSTEM			DIRECT INJECTION					
	COOLING SYSTEM			WATER					
	FUEL CONSUMPTION (lt/h)	100% OF PRIME POWER		7,20	10,80	13,90	14,80	18,70	22,60
75% OF PRIME POWER		5,61	8,23	10,40	11,20	14,00	17,10		
50% OF PRIME POWER		4,06	5,83	7,20	8,00	9,70	11,20		
TOTAL LUBRICATION SYSTEM CAPACITY (lt)			8,3	7,9	7,9	8	8	8	

INFINITYPOWER reserves the right to make changes in model, technical specifications, color, equipment & accessories without prior notice.