

## PERKINS 825-1125 kVA Technical Specifications



### ENGINE

- PERKINS series heavy duty diesel engine
- 4 cycle, water cooled, turbocharged & air to air charge cooled
- Direct injection
- Electronic governor system
- 24 volt self-starter and charger alternator
- Changeable air, fuel and oil filter
- Tropical type radiator
- Flexible fuel pipe
- Oil discharge valve and extension pipe
- Industrial type silencer, exhaust spiral or compensator
- Maintenance free battery
- Engine block water heater (in automatic models)
- Diesel gen-set maintenance and operating instructions and electrical circuit diagram

### QUALITY STANDARD

Our gen-sets; VDE 0530, BS 4999, BS 5000, IEC 34, TS ISO 8528, TS EN 12601 are manufactured in accordance with the requirements of standards above. Our company fulfills ISO 9001:2008, ISO 14001:2004, OHSAS 18001:2007 management system requirements, and have the accredited certificates of Kiwa & MEYER. Also we've GOST-R certificate. Our gen-sets have TS ISO 8528-5, TS EN 12601 product standard certificates. Our gen-sets are CE certified in accordance with the requirements of 2000/14/EC, noise emission directive.

### ALTERNATOR

- INFINITY brushless 12 ends alternator
- Single bearing, flexible disc 4 poles alternator for harmonic failure
- H type isolation class
- IP 21-23 protection class, Self-excited
- Electronic automatic voltage regulator
- Stator 2/3 step for harmonic failure
- Leroy Somer, Stamford, SINCRO and Mecc Alte alternators are optional

### EXTRA EQUIPMENTS

- Charge ammeter
- Molded case circuit breaker (in automatic models)
- Hospital (critical) type silencer
- Sound-proof canopy
- Mobile - trailer
- Synchronization control panel for 2-6 gensets.
- 4 pole automatic transfer panel (A.T.S.)
- Fuel and oil heater
- Alternator heater
- Automatic fuel filling system
- Fuel-water separator filter

### CANOPY

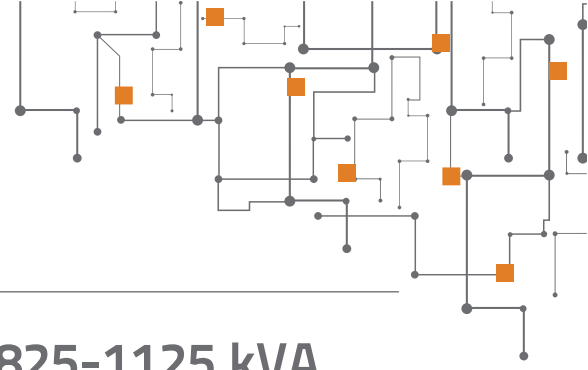
- Modular type sound-proof canopy
- Canopy installation executed with screw and nut, without welding process
- Epoxy and polyester powder painted canopy
- Canopy designed for easy maintenance
- Lockable doors on both sides of canopy
- Emergency stop button
- Transparent panel inspection window

### AUTOMATIC CONTROL PANEL

- LCD display screen
- Battery charger
- Hardware and materials needed
- USB port & RS-485 output

### GEN-SET SAFETY PROTECTION & ALARMS

- High water temperature
- Low oil pressure
- High & low engine speed
- Low radiator water level
- Over current load
- High & low genset voltage
- Start/stop failure



## PERKINS Series Diesel Generator Sets 825-1125 kVA

MODEL				IPG825P	IPG900P	IPG1000P	IPG1125P
GROUP	GEN - SET POWER	STAND BY	kVA	825	900	1002	1125
			kW	660	720	802	900
		PRIME	kVA	750	800	911	1022
			kW	600	640	729	818
	CANOPY DIMENSION (W x L x H) mm			1900 x 5290 x 3640	1900 x 5290 x 3640	2200 x 5300 x 3390	2200 x 5300 x 3390
	CANOPY WEIGHT kg			7600	7600	9200	9300
	OPEN DIMENSION (W x L x H) mm			1800 x 4350 x 2765	1800 x 4350 x 2765	2160 x 4960 x 2824	2160 x 4960 x 2824
	OPEN WEIGHT kg			6900	6900	8500	8600
ENGINE	BRAND			PERKINS	PERKINS	PERKINS	PERKINS
	TYPE			4006 - 23TAG2A	4006 - 23TAG3A	4008TAG1A	4008TAG2A
	POWER	STAND BY	kW	695	760	844	947
		PRIME	kW	632	679	767	861
	SPEED (rpm)			1500	1500	1500	1500
	CYCLE			4	4	4	4
	DISPLACEMENT (lt)			22,921	22,921	30,561	30,561
	NUMBER OF CYLINDERS			6 IN LINE	6 IN LINE	8 IN LINE	8 IN LINE
	BORE AND STROKE (mm x mm)			160 x 190	160 x 190	160 x 190	160 x 190
	COMPRESSION RATIO			13,6 : 1	13,6 : 1	13,6 : 1	13,6 : 1
	GOVERNOR TYPE			ELECTRONIC			
	INDUCTION			TURBOCHARGED - AIR TO AIR CHARGE COOLED			
	COMBUSTION SYSTEM			DIRECT INJECTION			
	COOLING SYSTEM			WATER			
	FUEL CONSUMPTION (lt/h)	100% OF PRIME POWER		157,00	172,00	195,00	215,00
75% OF PRIME POWER		121,00	130,00	143,00	162,00		
50% OF PRIME POWER		83,00	90,00	98,00	111,00		
TOTAL LUBRICATION SYSTEM CAPACITY (lt)			113,4	113,4	153	153	

INFINITYPOWER reserves the right to make changes in model, technical specifications, color, equipment & accessories without prior notice.