

PERKINS 400-550 kVA Technical Specifications



ENGINE

- PERKINS series heavy duty diesel engine
- 4 cycle, water cooled, turbocharged & air to air charge cooled
- Direct injection
- Electronic governor system
- 24 volt self-starter and charger alternator
- Changeable air, fuel and oil filter
- Tropical type radiator
- Flexible fuel pipe
- Oil discharge valve and extension pipe
- Industrial type silencer, exhaust spiral or compensator
- Maintenance free battery
- Engine block water heater (in automatic models)
- Diesel gen-set maintenance and operating instructions and electrical circuit diagram

QUALITY STANDARD

Our gen-sets; VDE 0530, BS 4999, BS 5000, IEC 34, TS ISO 8528, TS EN 12601 are manufactured in accordance with the requirements of standards above. Our company fulfills ISO 9001:2008, ISO 14001:2004, OHSAS 18001:2007 management system requirements, and have the accredited certificates of Kiwa & MEYER. Also we've GOST-R certificate. Our gen-sets have TS ISO 8528-5, TS EN 12601 product standard certificates. Our gen-sets are CE certified in accordance with the requirements of 2000/14/EC, noise emission directive.

ALTERNATOR

- INFINITY brushless 12 ends alternator
- Single bearing, flexible disc 4 poles alternator for harmonic failure
- H type isolation class
- IP 21-23 protection class, Self-excited
- Electronic automatic voltage regulator
- Stator 2/3 step for harmonic failure
- Leroy Somer, Stamford, SINCRO and Mecc Alte alternators are optional

EXTRA EQUIPMENTS

- Charge ammeter
- Molded case circuit breaker (in automatic models)
- Hospital (critical) type silencer
- Sound-proof canopy
- Mobile - trailer
- Synchronization control panel for 2-6 gensets.
- 4 pole automatic transfer panel (A.T.S.)
- Fuel and oil heater
- Alternator heater
- Automatic fuel filling system
- Fuel-water separator filter

CANOPY

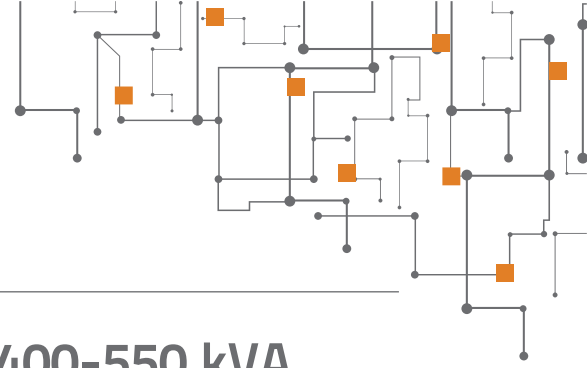
- Modular type sound-proof canopy
- Canopy installation executed with screw and nut, without welding process
- Epoxy and polyester powder painted canopy
- Canopy designed for easy maintenance
- Lockable doors on both sides of canopy
- Emergency stop button
- Transparent panel inspection window

AUTOMATIC CONTROL PANEL

- LCD display screen
- Battery charger
- Hardware and materials needed
- USB port & RS-485 output

GEN-SET SAFETY PROTECTION & ALARMS

- High water temperature
- Low oil pressure
- High & low engine speed
- Low radiator water level
- Over current load
- High & low genset voltage
- Start/stop failure



PERKINS Series Diesel Generator Sets 400-550 kVA

MODEL			IPG400P	IPG450P	IPG500P	IPG550P	
GROUP	GEN - SET POWER	STAND BY	kVA	400	450	500	550
			kW	320	360	400	440
		PRIME	kVA	350	400	455	500
			kW	280	320	364	400
	CANOPY DIMENSION (W x L x H) mm			1500 x 5250 x 2665	1500 x 5250 x 2665	1500 x 5250 x 2665	1500 x 5250 x 2665
	CANOPY WEIGHT kg			3900	4100	4200	4200
	OPEN DIMENSION (W x L x H) mm			1210 x 3785 x 2020	1210 x 3785 x 2020	1210 x 3785 x 2020	1210 x 3785 x 2020
	OPEN WEIGHT kg			3200	3400	3500	3500
ENGINE	BRAND			PERKINS	PERKINS	PERKINS	PERKINS
	TYPE			2206C - E13TAG2	2206C - E13TAG3	2506C - E15TAG1	2506C - E15TAG2
	POWER	STAND BY	kW	349	392	435	478
		PRIME	kW	305	349	396	435
	SPEED (rpm)			1500	1500	1500	1500
	CYCLE			4	4	4	4
	DISPLACEMENT (lt)			12,5	12,5	15,2	15,2
	NUMBER OF CYLINDERS			6 IN LINE	6 IN LINE	6 IN LINE	6 IN LINE
	BORE AND STROKE (mm x mm)			130 x 157	130 x 157	137 x 171	137 x 171
	COMPRESSION RATIO			16,3 : 1	16,3 : 1	16,0:1	16,0:1
	GOVERNOR TYPE			ELECTRONIC			
	INDUCTION			TURBOCHARGED - AIR TO AIR CHARGE COOLED			
	COMBUSTION SYSTEM			DIRECT INJECTION			
	COOLING SYSTEM			WATER			
	FUEL CONSUMPTION (lt/h)	100% OF PRIME POWER		75,00	85,00	99,00	106,00
75% OF PRIME POWER		58,00	65,00	73,00	81,00		
50% OF PRIME POWER		40,00	46,00	51,00	55,00		
TOTAL LUBRICATION SYSTEM CAPACITY (lt)			40	40	62	62	

INFINITYPOWER reserves the right to make changes in model, technical specifications, color, equipment & accessories without prior notice.